



JETFLOW SJMF

Installation & Maintenance

Installation Instructions

WARNING — Insulation Resistance Testing. Before performing insulation resistance testing, it is crucial to disconnect all EC products from the circuit. Failure to do this can damage the sensitive electronics within these products and is not covered by warranty.

1.0 General

- 1.1 It is important these Installation and Maintenance Instructions are fully adhered to.
- 1.2 Full details of the unit supplied are shown on the product nameplate. If in doubt about any detail contact Elta Ltd or its agents for clarification.
- 1.3 All electrical installation must be carried out by suitably qualified and competent personnel in accordance with all current statutory requirements.
- 1.4 These instructions cover only the Elta Ltd product and do not include the supply or installation of any safety equipment that may be required e.g. adequate guarding or protection from rotating parts and proper electrical isolation.
- 1.5 Any declarations made by Elta Ltd about product installation and safety, are dependent on the fan equipment being used within installations which themselves meet the requirements of the relevant Standards and Directives of your region.
- 1.6 The fan is designed for use in an ambient temperature of -10°C up to a maximum of +60°C and up to 90% relative humidity. The fan is not suitable for corrosive or explosive atmospheres.
- 1.7 The installer should provide easy access to the fan to facilitate future maintenance.
- 1.8 The installer should ensure the fan is adequately supported.
- 1.9 This product is not intended for use by persons (including children) with reduced physical, sensory, or mental capabilities, or lack of experience and knowledge, unless they have been given supervision or instruction concerning use of the product by a person responsible for their safety. Children should be supervised to ensure that they do not play with the product.
- 1.10 At end-of-life, the unit must be disposed of in an environmentally friendly manner by suitably qualified and competent personnel in accordance with the requirements of applicable Standards and Directives.

2.0 Installation

WARNING – The fan must be isolated from the power supply during installation and maintenance.
The fan must be earthed in accordance with the local regulations.
The appliance can only be used indoors.

- 2.1 Upon receipt, the fan equipment should be visually inspected to check for any damage. Ensure that the impeller is free to rotate.
- 2.2 If there are any queries concerning the fan equipment, Elta Ltd should be contacted prior to the installation.
- 2.3 The fan must be securely mounted in the desired position to suit the application. The fan can be mounted at any angle.
- 2.4 Check the details on the motor rating plate to ensure that the correct power supply (voltage, frequency, and phase) is available. An incorrect power supply will lead to permanent damage to the fan motor.
- 2.5 Refer to the appropriate wiring diagram. Ensure that all earth connections are made.
- 2.6 Means for electrical disconnection must be incorporated in the wiring installation in accordance with the relevant wiring and electrical regulations.
- 2.7 Precaution must be taken to locate the exhaust discharge terminal to avoid the backflow of gases into the room from the open flue of gas or other fuel burning appliances.
- 2.8 Minimum Installation Space

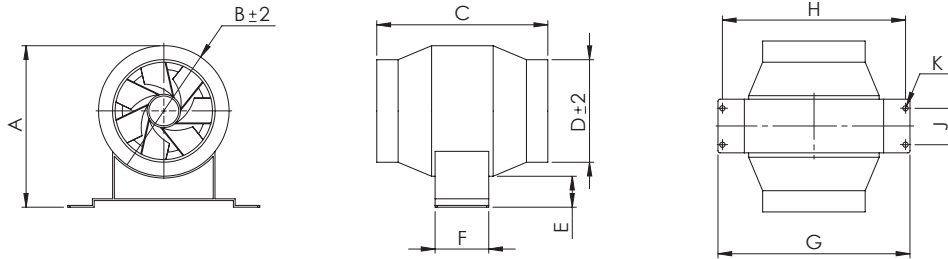
JETFLOW SJMF



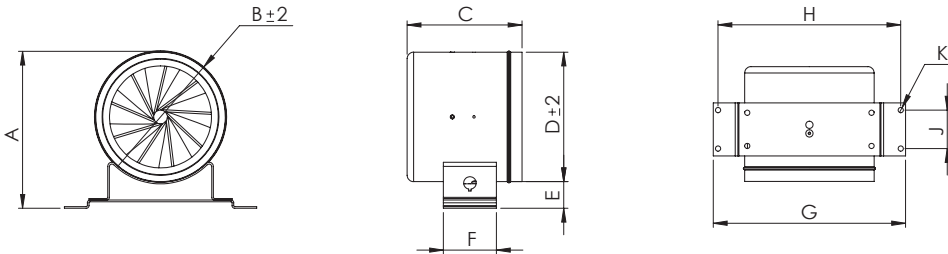
Installation Instructions

2.9 Dimensions & Mounting

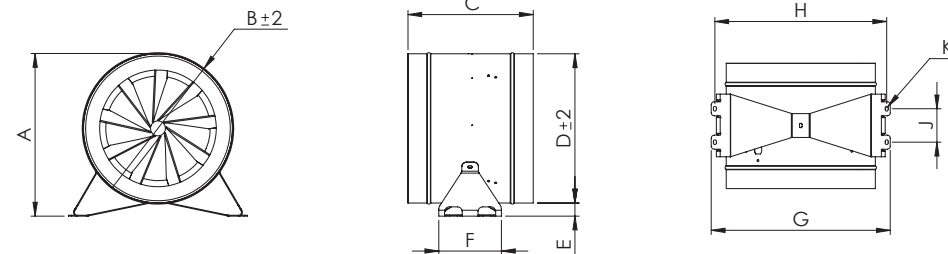
SJMF100



SJMF125



SJMF150-SJMF355



Product Code	A	B	C	D	E	F	G	H	J	K	Weight kg
SJMF100	150	125	159	98	25	51	184	175	37	5	1.1
SJMF125	151	126	110	124	26	51	184	175	37	5	1.1
SJMF150	173	153	165	150	21	80	187	175	37	5 x 8 SLOT	1.6
SJMF200	223	203	220	200	22	105	221	210	39	5 x 8 SLOT	2.6
SJMF250	274	254	210	250	22	105	300	288	56	5 x 8 SLOT	3.7
SJMF315	356	317	290	313	39	164	360	336	68	9 x 14 SLOT	8.5
SJMF355	401	358	330	353	45	184	405	380	77	9 x 14 SLOT	12.0

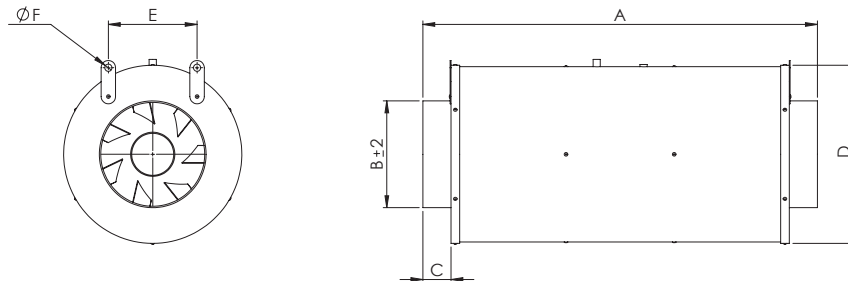
Dimensions are in mm.

JETFLOW SJMF



Installation Instructions

SJMF150-S - SJMF315-S



Product Code	A	B	C	D	E	F	Weight kg
SJMF150-S	547	148	39	243	123	10	5.0
SJMF200-S	699	198	40	304	174	10	7.5
SJMF250-S	859	248	45	353	221	10	13.7
SJMF315-S	940	313	46	415	268	10	20.0

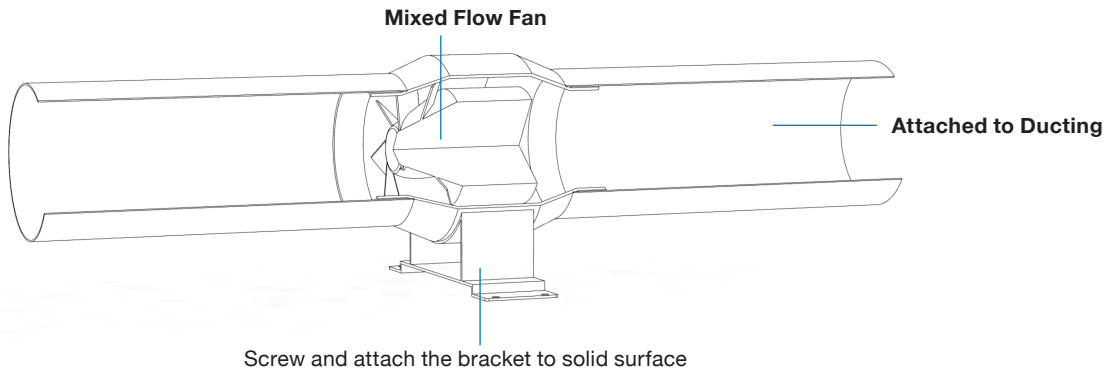
Dimensions are in mm.

JETFLOW SJMF



Installation Instructions

SJMF Models

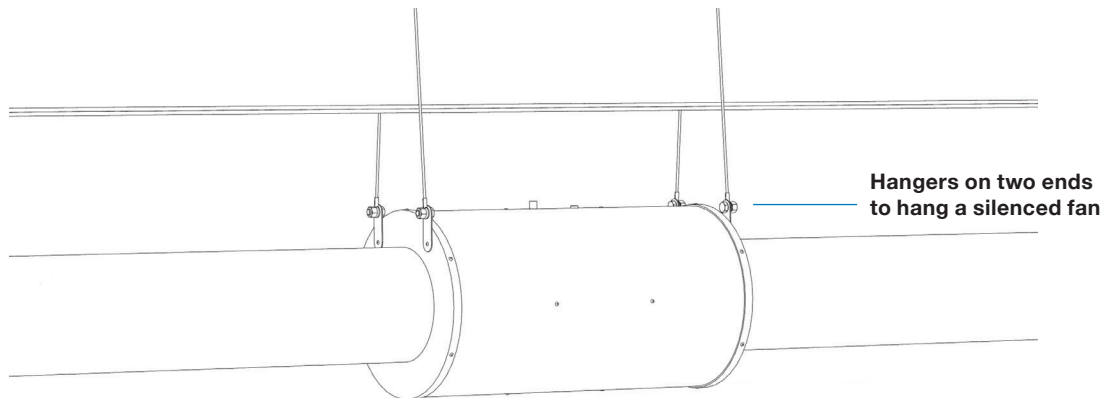


The use of Fast Clamps or Flexible Connectors is recommended for connection to duct, making it very easy for future maintenance, repair, or replacement.

Silencers are recommended on the inlet and outlet sides of the fan to reduce noise.

Sizes 150/200/250 and 315mm have a detachable mounting bracket.

SJMF-S Models



Installation Instructions

3.0 Start Up

- 3.1 Before power is supplied to the unit, check that the wiring is correct as per the fan connection diagram.
- 3.2 At initial start-up, check that impeller rotation and airflow direction is correct.
- 3.3 Check that the motor amperage drawn does not exceed the nameplate rating.

4.0 Fan Maintenance

- 4.1 Inspection of the fan at least once every 12 months is recommended to ensure that the motor, fan blades, and supporting guards, are clean. Any build-up of dust and deposits on the blades or guards should be removed using a non-abrasive cleaner.
- 4.2 All fastenings should be checked for tightness. In addition, all rotating items should be checked.
- 4.3 Bearings are of the 'sealed for life' type and will not need a detailed inspection.

IMPORTANT - The EC fan has internal electronic overload protection which switches the fan off in the event of a fault condition. Once the motor cools down the fan may start unexpectedly.

CAUTION - In order to avoid a hazard due to inadvertent resetting of the thermal cutout, this appliance must not be supplied through an external switching device, such as a timer or connected to a circuit that is regularly switched on and off by the utility.

Only a suitably qualified and competent person may carry out maintenance after the electrical supply has been isolated.

5.0 Storage

- 5.1 If the fan is not to be used immediately then it should be stored in a clean, dry, vibration free and lockable location.
- 5.2 The impeller must be spun by hand (ensuring that it does not come to rest in the same position) monthly to prevent hardening of the grease and possible damage to the bearings.
- 5.3 All items to be stored on pallets that afford adequate protection from damage, dust and high humidity.
- 5.4 If storage periods of longer than 1 month are anticipated then Elta (or their Agent) should be contacted prior to storage taking place, to ensure the storage area provisions will not be detrimental to the wellbeing of Elta products.

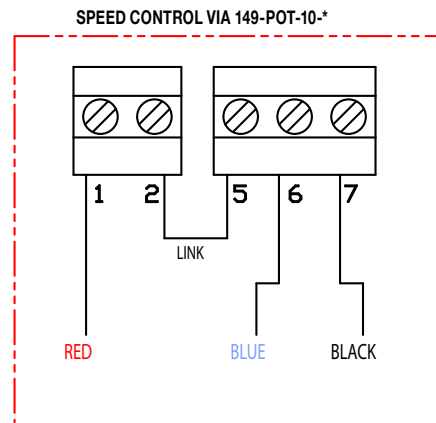
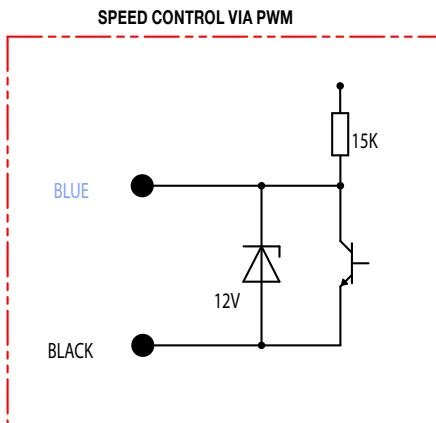
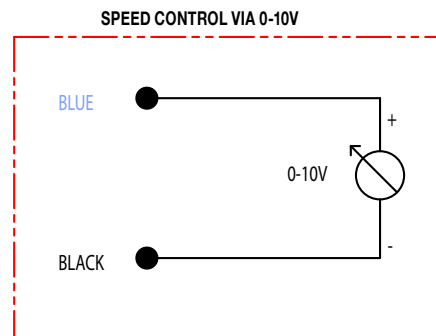
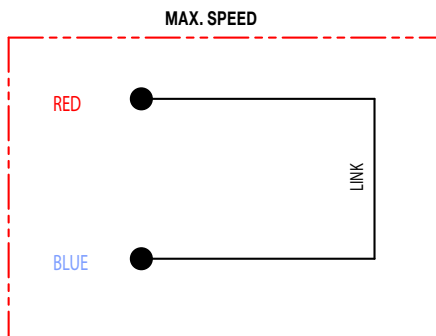
6.0 Guarantee

Elta Ltd will, free of charge, within a period of 1 year from the date of dispatch from their works, repair or at its option replace any goods which are proved to have defects as a result of defective materials or workmanship. The goods MUST be returned to Elta Ltd carriage paid for examination.

Wiring Diagrams

Mains connection is by 1.5 metre Mains lead complete with BS1363-1 UK 3-pin plug BS1361 fuse 3A.

Fan is supplied for FIXED SPEED Operation, for speed control remove the 3.5mm jack plug and connect the supplied cable connecting speed control circuit as diagrams below to cable.



Wire Colour	Purpose	Description
RED	10VDC Output	10VDC source output
BLUE	0-10VDC Input	DC control voltage input (0 - 10VDC or PWM)
BLACK	GND/ Common	DC Common
YELLOW	Tacho Output	Speed Reference

PLEASE NOTE: Wire colours relate to the motor control wires provided by the 3.5mm jack plug/lead provided with the unit.

All wiring and control equipment must comply to the latest IEE regulations, in particular part 552-01-02/03.

MK-152-553 Issue B: 26.10.2021

Check the individual product accessories table for fan controller compatibility.

Representeras av:



tel: 0470 - 485 50

mail: info@flaktcomp.se

www.flaktcomp.se

Tel **+44 (0) 1384 275800**

Email info@eltauk.com

eltauk.com

535-IOM0081 Issue D



BS EN ISO 9001:2015 FM 556465

