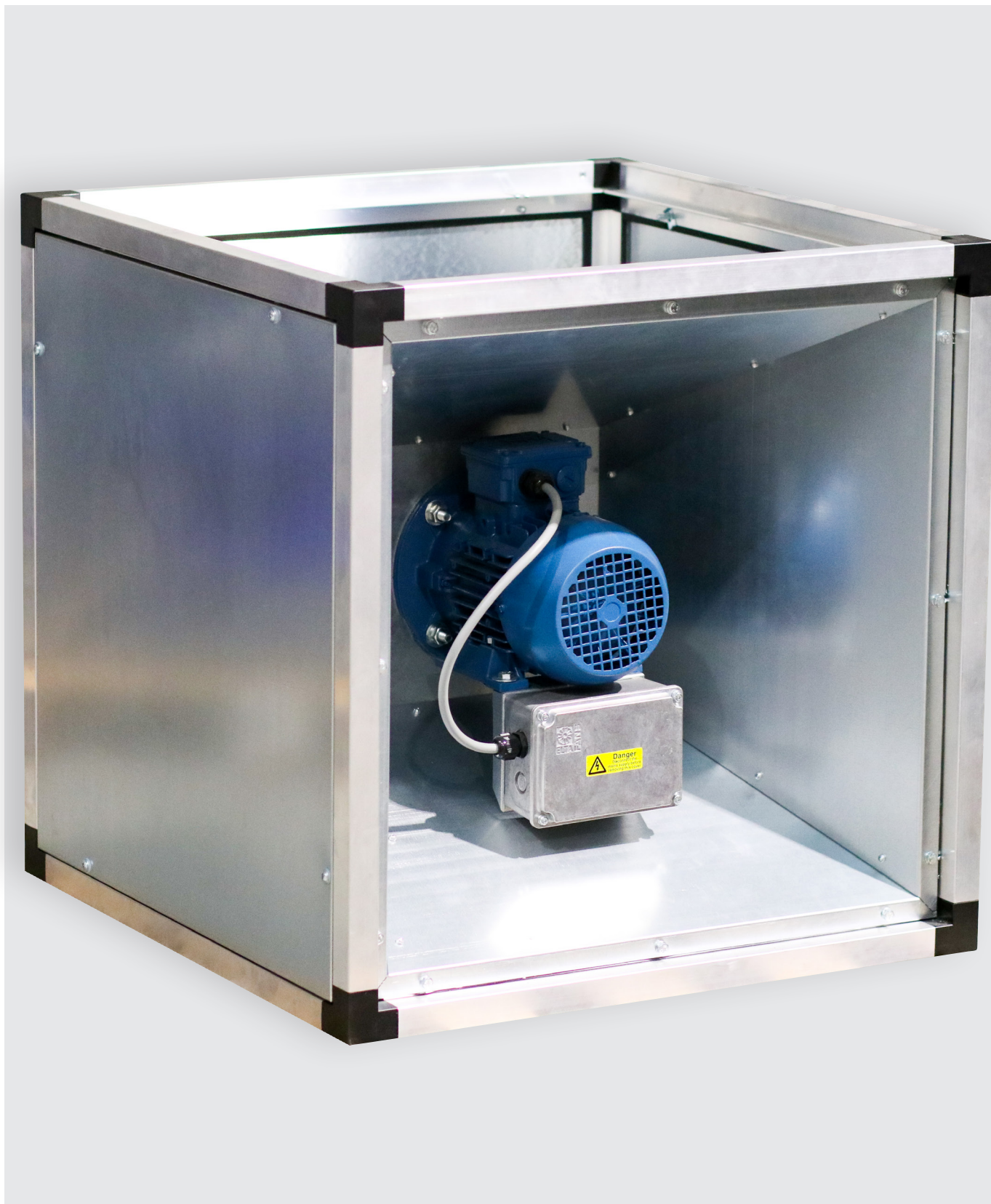


QUBE SQUHT

Centrifugal Box Fan

ELTA

>> **Select** models available for next day delivery



QUBE SQUHT

Product Overview



- Box sizes of 500, 670, 820 and 1020mm
- Air volume flow rates of up to 5.455 m³/s
- Static pressures up to 1314 Pa
- Suitable for operating temperatures up to +120°C (in-duct)
- Interchangeable double skinned panels
- 90° Outlet
- Available in **AC** & **EC**

A multi-discharge, double skinned fan unit incorporating a high performance backward curved impeller. The motor is situated out of the airstream making the range suitable for more arduous and elevated temperature applications.

High Temperature

Motors are out of the air stream and are not effected by contaminants in the ventilated air. The range is suitable for a wide range of applications from contaminated air to elevated temperatures up to 120°C.

Intelligent Design

Designed to maximise performance and reduce the use of energy having moveable panels allowing the outlet position to be altered on site to suit installation.

Low Noise

Units are constructed from double insulated panels filled with 25mm fibre glass acoustic insulation giving reduced noise levels.

Controllability

Suitable for speed control and integration into a building management system dependent on model.

Warranty

Each SQUHT has a 12 month warranty.

Construction

Corrosion resistant aluminium frame with painted aluminium corners for strength and durability.

Casing

The casing shall be constructed from self-supporting corrosion-resistant extruded aluminium section assembled with Aluminium corners and 25mm thick double skinned removable panels, manufactured from pre-galvanised steel, in-filled with a non-flammable mineral wool.

Motor

The IEC frame Motor shall be either AC Three phase multi-voltage IP55 TEFC Foot / Flange mounted, wound for either (Delta) 230V/3Ph/50Hz or (Star) at 400V/3Ph/50Hz connection, suitable for speed control when used with a Variable Frequency Drive or EC single or three phase permanent magnet IE6 totally enclosed to IP55 with centralised control circuit for speed adjustment and Electronic protection against overload, over temperature and locked-rotor suitable for 50 and 60Hz supply.

Impeller

Impeller shall be a high efficiency backward curved EN-AW 5754 aluminium with a non-overloading power characteristic, dynamically balanced to G6.3 according to ISO1940 part 1.

Typical Applications

- Kitchens
- Restaurants
- Schools
- Colleges
- Shops
- Shower Rooms
- Factories

Contents

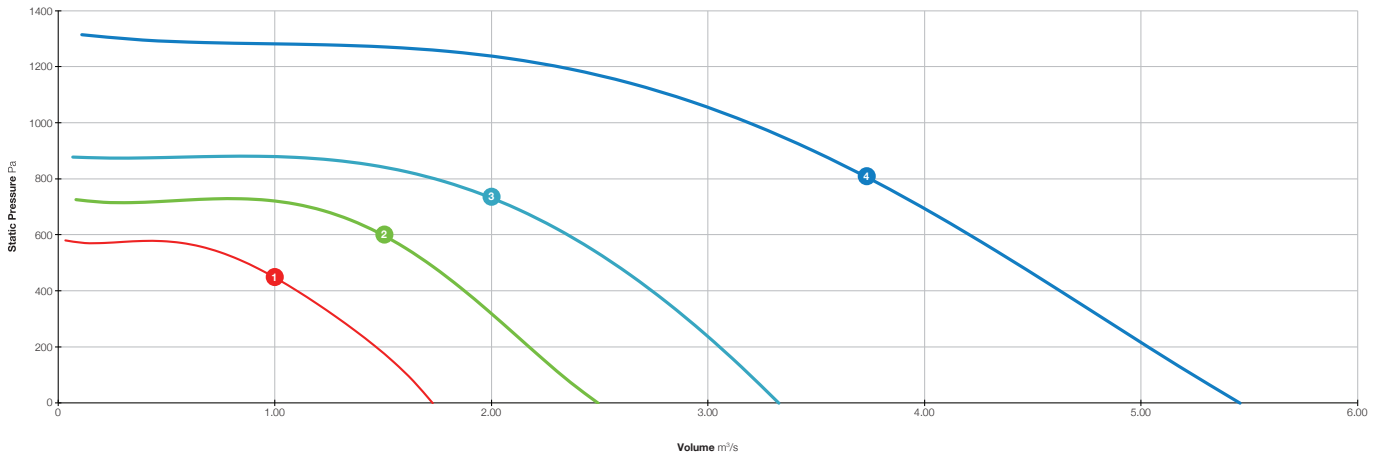
Page	Information
3	Performance Range Curves
4	Performance, SFP & Electrical Data
5	Sound Data
6	Dimensional Data
7	Accessories

* Add 'S' to product code for side entry.

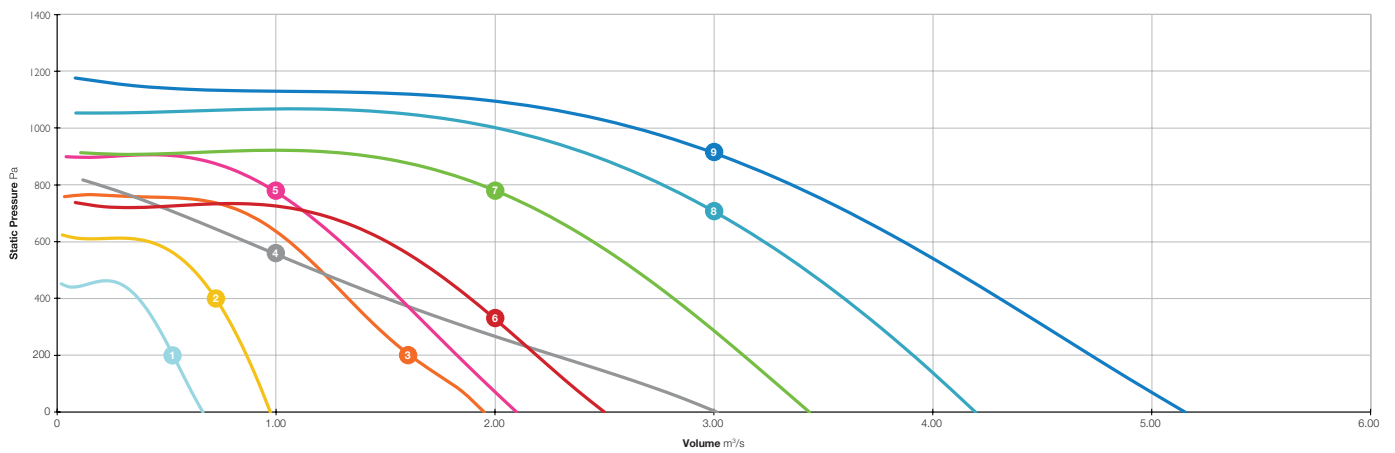
QUBE SQUHT



Performance Range Curves



- 1 SQUHT67/450-4-3
- 2 SQUHT82/500-4-3
- 3 SQUHT82/560-4-3
- 4 SQUHT102/630B-4-3



- 1 SQUHT50/315-EC-1
- 2 SQUHT50/355-EC-1
- 3 SQUHT67/450-EC-1
- 4 SQUHT82/560-EC-1
- 5 SQUHT67/450-EC-3
- 6 SQUHT82/500-EC-3
- 7 SQUHT82/560-EC-3
- 8 SQUHT82/630-EC-3
- 9 SQUHT102/630B-EC-3

Performance, SFP & Electrical Data

Three Phase 380V to 415V / 50Hz

Product Code	Speed r/min	Airflow SFP	Airflow m ³ /s @ Static Pressure Pa												At Best Efficiency Point		Electrical Data		dBA @ 3m	
			0	25	50	75	100	150	200	250	300	350	400	500	Overall Eff %	Input kW	Peak Amps	Δ / Y		
SQUHT67/450-4-3	1430	m ³ / s	1.730	1.703	1.675	1.645	1.613	1.544	1.468	1.385	1.297	1.203	1.103	0.868	48.1	0.929	1.67	Y	Inlet	58
		W / (L/s)	0.39	0.41	0.43	0.45	0.47	0.52	0.57	0.63	0.69	0.77	0.85	1.05					Outlet	60
		Breakout	45																	
SQUHT82/500-4-3	1465	m ³ / s	2.494	2.448	2.405	2.364	2.325	2.249	2.176	2.103	2.029	1.954	1.877	1.707	58.0	1.550	3.03	Y	Inlet	61
		W / (L/s)	0.40	0.42	0.44	0.47	0.49	0.53	0.58	0.62	0.67	0.72	0.77	0.89					Outlet	65
		Breakout	53																	
SQUHT82/560-4-3	1460	m ³ / s	3.326	3.294	3.261	3.227	3.193	3.124	3.053	2.980	2.903	2.824	2.741	2.559	56.1	2.613	5.30	Y	Inlet	66
		W / (L/s)	0.51	0.53	0.55	0.57	0.59	0.64	0.68	0.73	0.78	0.82	0.88	0.98					Outlet	70
		Breakout	58																	
SQUHT102/630B-4-3	1475	m ³ / s	5.455	5.400	5.345	5.292	5.239	5.134	5.032	4.930	4.828	4.727	4.625	4.419	62.9	5.065	9.15	Δ	Inlet	72
		W / (L/s)	0.53	0.56	0.58	0.61	0.63	0.68	0.73	0.78	0.82	0.87	0.92	1.01					Outlet	75
		Breakout	62																	

Data provided is at standard air density of 1.2 kg/m³.

Exempt from ErP.

Peak Amps @ 400V / 3PH / 50Hz.

The overall A-weighted sound pressure level is at a distance of 3m with spherical free-field propagation. It is expressed in dB re-20μPa and is presented for comparative purposes only.

Performance, SFP & Electrical Data

Single Phase 220V to 277V / 50Hz or 60Hz

Product Code	Control Voltage	Speed r/min	Airflow SFP	Airflow m ³ /s @ Static Pressure Pa												At Best Efficiency Point		Electrical Data		dBA @ 3m	
				0	25	50	75	100	150	200	250	300	350	400	500	Overall Eff %	Input kW	Peak Amps			
SQUHT50/315-EC-1	10V	1815	m ³ / s	0.666	0.647	0.629	0.612	0.595	0.562	0.530	0.496	0.460	0.420	0.372	-	61.8	0.273	2.17	Inlet	54	
			W / (L/s)	0.29	0.31	0.32	0.34	0.36	0.40	0.45	0.51	0.57	0.64	0.73	-				Outlet	56	
	7.5V	1310	m ³ / s	0.461	0.438	0.419	0.400	0.382	0.341	0.284	-	-	-	-	-	57.2	0.109	0.92	Inlet	46	
			W / (L/s)	0.15	0.18	0.20	0.23	0.26	0.32	0.40	-	-	-	-	-				Outlet	48	
	5V	805	m ³ / s	0.280	0.250	0.218	0.175	-	-	-	-	-	-	-	-	45.1	0.034	0.34	Inlet	34	
			W / (L/s)	0.09	0.12	0.15	0.20	-	-	-	-	-	-	-	-				Outlet	36	
																		Breakout	27		
SQUHT50/355-EC-1	10V	1810	m ³ / s	0.975	0.962	0.949	0.936	0.923	0.895	0.866	0.835	0.801	0.765	0.724	0.622	59.7	0.574	4.14	Inlet	57	
			W / (L/s)	0.43	0.45	0.46	0.48	0.50	0.54	0.58	0.63	0.68	0.73	0.79	0.93				Outlet	59	
	7.5V	1310	m ³ / s	0.702	0.685	0.666	0.647	0.626	0.580	0.524	0.452	0.327	-	-	-	56.5	0.227	1.76	Inlet	49	
			W / (L/s)	0.24	0.26	0.28	0.30	0.32	0.37	0.43	0.50	0.65	-	-	-				Outlet	51	
	5V	805	m ³ / s	0.432	0.398	0.360	0.315	0.254	-	-	-	-	-	-	-	47.1	0.064	0.57	Inlet	37	
			W / (L/s)	0.12	0.14	0.17	0.20	0.25	-	-	-	-	-	-	-				Outlet	39	
																		Breakout	28		
SQUHT67/450-EC-1	10V	1655	m ³ / s	1.952	1.923	1.888	1.847	1.802	1.704	1.612	1.532	1.460	1.394	1.330	1.202	55.5	1.241	7.81	Inlet	60	
			W / (L/s)	0.48	0.49	0.50	0.51	0.53	0.59	0.65	0.71	0.76	0.82	0.88	1.01				Outlet	63	
	7.5V	1180	m ³ / s	1.410	1.333	1.260	1.194	1.134	1.026	0.926	0.827	0.718	0.574	-	-	55.0	0.436	2.95	Inlet	52	
			W / (L/s)	0.24	0.26	0.29	0.31	0.34	0.39	0.45	0.52	0.61	0.75	-	-				Outlet	54	
	5V	725	m ³ / s	0.832	0.746	0.661	0.574	0.479	-	-	-	-	-	-	-	46.6	0.119	0.90	Inlet	40	
			W / (L/s)	0.11	0.14	0.17	0.20	0.25	-	-	-	-	-	-	-				Outlet	43	
																		Breakout	31		
SQUHT82/560-EC-1	10V	1115	m ³ / s	3.016	2.938	2.855	2.767	2.675	2.479	2.274	2.070	1.872	1.685	1.508	1.178	59.2	1.106	8.19	Inlet	60	
			W / (L/s)	0.41	0.42	0.43	0.44	0.45	0.48	0.51	0.54	0.59	0.65	0.73	0.97				Outlet	64	
	7.5V	1115	m ³ / s	2.710	2.676	2.639	2.597	2.550	2.433	2.272	2.069	1.864	1.679	1.508	1.162	58.4	1.125	7.76	Inlet	52	
			W / (L/s)	0.33	0.36	0.38	0.40	0.42	0.47	0.52	0.56	0.61	0.67	0.75	0.97				Outlet	56	
	5V	785	m ³ / s	1.804	1.724	1.647	1.570	1.491	1.322	1.115	0.716	-	-	-	-	59.9	0.415	2.97	Inlet	40	
			W / (L/s)	0.15	0.18	0.20	0.23	0.25	0.31	0.37	0.53	-	-	-	-				Outlet	44	
																		Breakout	32		

Data provided is at standard air density of 1.2 kg/m³.
Exempt from ErP.

A variable speed drive is integrated within the fan.
Peak Amps @ 230V / 1PH / 50Hz.

The overall A-weighted sound pressure level is at a distance of 3m with spherical free-field propagation. It is expressed in dB re-20µPa and is presented for comparative purposes only.

Three Phase 380V to 480V / 50Hz or 60Hz

Product Code	Control Voltage	Speed r/min	Airflow SFP	Airflow m³/s @ Static Pressure Pa												At Best Efficiency Point		Electrical Data		dBA @ 3m	
				0	25	50	75	100	150	200	250	300	350	400	500	Overall Eff %	Input kW	Peak Amps			
SQUHT67/450-EC-3	10V	1810	m³ / s	2.100	2.065	2.030	1.996	1.962	1.894	1.828	1.762	1.697	1.632	1.567	1.434	51.3	1.668	3.61	Inlet	62	
			W / (L/s)	0.54	0.56	0.58	0.60	0.62	0.67	0.72	0.78	0.84	0.90	0.97	1.11				Outlet	65	
	7.5V	1290	m³ / s	1.529	1.455	1.396	1.344	1.296	1.206	1.118	1.028	0.933	0.826	0.692	-	53.0	0.601	1.62	Inlet	54	
			W / (L/s)	0.26	0.30	0.33	0.36	0.39	0.44	0.50	0.56	0.64	0.73	0.87	-				Outlet	57	
	5V	790	m³ / s	0.935	0.843	0.757	0.672	0.585	-	-	-	-	-	-	-	46.6	0.151	0.51	Inlet	42	
			W / (L/s)	0.12	0.15	0.18	0.21	0.25	-	-	-	-	-	-	-				Outlet	45	
																		Breakout	33		
SQUHT82/500-EC-3	10V	1500	m³ / s	2.502	2.459	2.419	2.379	2.340	2.265	2.191	2.117	2.043	1.967	1.888	1.715	61.5	1.578	2.45	Inlet	61	
			W / (L/s)	0.39	0.42	0.44	0.46	0.48	0.53	0.58	0.63	0.68	0.73	0.78	0.90				Outlet	65	
	7.5V	1115	m³ / s	1.824	1.766	1.711	1.657	1.604	1.498	1.388	1.269	1.131	0.955	0.589	-	58.0	0.649	1.25	Inlet	54	
			W / (L/s)	0.23	0.26	0.29	0.31	0.34	0.39	0.44	0.50	0.57	0.67	0.98	-				Outlet	58	
	5V	695	m³ / s	1.118	1.028	0.944	0.856	0.760	0.426	-	-	-	-	-	-	46.8	0.195	0.48	Inlet	43	
			W / (L/s)	0.13	0.16	0.19	0.22	0.25	0.43	-	-	-	-	-	-				Outlet	46	
																		Breakout	34		
SQUHT82/560-EC-3	10V	1500	m³ / s	3.437	3.399	3.362	3.324	3.287	3.212	3.136	3.059	2.980	2.900	2.817	2.643	61.7	2.692	3.97	Inlet	66	
			W / (L/s)	0.50	0.52	0.54	0.57	0.59	0.63	0.68	0.72	0.77	0.82	0.87	0.97				Outlet	70	
	7.5V	1125	m³ / s	2.587	2.537	2.487	2.437	2.386	2.281	2.172	2.056	1.931	1.793	1.633	1.122	61.6	1.151	1.96	Inlet	59	
			W / (L/s)	0.29	0.31	0.33	0.36	0.38	0.43	0.48	0.53	0.58	0.64	0.71	0.95				Outlet	63	
	5V	695	m³ / s	1.604	1.519	1.434	1.347	1.254	1.034	0.524	-	-	-	-	-	56.0	0.314	0.76	Inlet	48	
			W / (L/s)	0.14	0.16	0.18	0.21	0.24	0.30	0.52	-	-	-	-	-				Outlet	51	
																		Breakout	40		
SQUHT82/630-EC-3	10V	1400	m³ / s	4.194	4.159	4.125	4.090	4.055	3.983	3.909	3.834	3.757	3.677	3.594	3.420	59.6	3.895	5.61	Inlet	71	
			W / (L/s)	0.63	0.65	0.68	0.70	0.72	0.77	0.82	0.87	0.91	0.96	1.01	1.10				Outlet	75	
	7.5V	1055	m³ / s	3.165	3.118	3.070	3.022	2.973	2.871	2.765	2.652	2.531	2.400	2.253	1.879	59.3	1.702	2.59	Inlet	64	
			W / (L/s)	0.37	0.39	0.42	0.44	0.46	0.51	0.55	0.60	0.65	0.70	0.76	0.90				Outlet	68	
	5V	575	m³ / s	1.996	1.918	1.837	1.751	1.660	1.450	1.156	-	-	-	-	-	55.1	0.469	0.94	Inlet	53	
			W / (L/s)	0.17	0.19	0.22	0.24	0.27	0.32	0.40	-	-	-	-	-				Outlet	57	
																		Breakout	45		
SQUHT102/630B-EC-3	10V	1400	m³ / s	5.152	5.096	5.041	4.986	4.933	4.827	4.722	4.618	4.514	4.410	4.305	4.091	65.3	4.367	6.35	Inlet	71	
			W / (L/s)	0.48	0.50	0.52	0.54	0.56	0.60	0.64	0.68	0.72	0.77	0.82	0.92				Outlet	74	
	7.5V	1055	m³ / s	3.876	3.803	3.733	3.664	3.596	3.462	3.328	3.193	3.054	2.908	2.753	2.387	68.9	1.855	2.90	Inlet	64	
			W / (L/s)	0.27	0.29	0.32	0.34	0.37	0.42	0.46	0.51	0.55	0.60	0.66	0.78				Outlet	67	
	5V	575	m³ / s	2.453	2.332	2.219	2.109	1.999	1.764	1.475	0.881	-	-	-	-	64.7	0.506	1.07	Inlet	53	
			W / (L/s)	0.13	0.15	0.18	0.20	0.23	0.28	0.34	0.52	-	-	-	-				Outlet	56	
																		Breakout	43		

Data provided is at standard air density of 1.2 kg/m³.

Exempt from ERP.

A variable speed drive is integrated within the fan.

Peak Amps @ 230V / 1PH / 50Hz.

The overall A-weighted sound pressure level is at a distance of 3m with spherical free-field propagation. It is expressed in dB re-20µPa and is presented for comparative purposes only.

Sound Data

Three Phase 380V to 415V / 50Hz

Product Code	Speed r/min		Sound Power Level dBW @ Octave Band Hz							Total dB	
			63Hz	125Hz	250Hz	500Hz	1kHz	2kHz	4kHz		8kHz
SQUHT67/450-4-3	1430	Inlet	85	83	78	75	69	70	70	66	88
		Outlet	88	84	77	77	76	72	71	70	90
		Breakout	86	72	70	62	54	46	43	42	86
SQUHT82/500-4-3	1465	Inlet	88	88	83	77	73	74	74	70	92
		Outlet	91	89	82	81	81	75	74	74	94
		Breakout	90	87	74	65	59	54	49	47	92
SQUHT82/560-4-3	1460	Inlet	91	93	89	80	78	77	78	75	96
		Outlet	95	95	87	86	87	78	78	77	99
		Breakout	93	92	80	69	65	58	53	51	96
SQUHT102/630B-4-3	1475	Inlet	95	104	98	79	83	79	71	78	105
		Outlet	99	107	96	87	92	79	70	79	108
		Breakout	95	98	83	65	64	53	38	42	100

Data provided at standard air density of 1.2 kg/m³.
 Tests and preparation of the sound data have been carried out in accordance with BS 848 Part 2:1985 at 50% peak pressure.
 The Sound Power Level Spectra are in dB re-1pW.

Sound Data

Single Phase 220V to 277V / 50Hz or 60Hz

Product Code	Control Voltage	Speed r/min		Sound Power Level dBW @ Octave Band Hz								Total dB
				63Hz	125Hz	250Hz	500Hz	1kHz	2kHz	4kHz	8kHz	
SQUHT50/315-EC-1	10V	1815	Inlet	89	83	75	72	64	64	62	56	90
			Outlet	87	81	75	75	70	68	63	56	89
			Breakout	88	80	67	59	52	47	41	30	89
	7.5V	1310	Inlet	81	75	67	64	56	56	54	48	82
			Outlet	79	73	67	67	62	60	55	48	81
			Breakout	80	72	59	51	44	39	33	22	81
	5V	805	Inlet	69	63	55	52	44	44	42	36	70
			Outlet	67	61	55	55	50	48	43	36	69
			Breakout	68	60	47	40	32	27	21	10	69
SQUHT50/355-EC-1	10V	1810	Inlet	84	82	78	75	66	68	67	57	88
			Outlet	82	85	74	75	74	72	66	59	88
			Breakout	83	82	68	61	56	52	46	33	86
	7.5V	1310	Inlet	77	75	71	68	59	61	60	50	80
			Outlet	75	78	67	68	67	65	59	52	80
			Breakout	76	74	61	54	48	44	38	25	78
	5V	805	Inlet	65	63	59	56	47	49	48	38	68
			Outlet	63	66	55	56	55	53	47	40	69
			Breakout	64	63	49	42	36	32	26	13	67
SQUHT67/450-EC-1	10V	1655	Inlet	87	85	80	77	71	72	72	68	90
			Outlet	90	86	79	79	78	74	73	72	93
			Breakout	89	84	72	64	56	48	45	44	90
	7.5V	1180	Inlet	79	77	72	69	63	64	64	60	82
			Outlet	82	78	71	71	70	66	65	64	84
			Breakout	81	76	64	56	48	40	37	35	82
	5V	725	Inlet	68	66	61	58	52	53	53	49	71
			Outlet	71	67	60	60	59	55	54	53	73
			Breakout	69	64	52	45	36	29	25	24	70
SQUHT82/560-EC-1	10V	1115	Inlet	85	87	83	74	73	72	72	70	91
			Outlet	89	90	81	80	81	72	72	72	93
			Breakout	87	86	74	63	59	52	47	45	90
	7.5V	1115	Inlet	77	79	75	66	65	64	64	62	83
			Outlet	81	82	73	72	73	64	64	64	85
			Breakout	79	78	66	55	51	44	39	37	82
	5V	785	Inlet	66	68	63	54	53	52	53	50	71
			Outlet	69	70	62	60	61	53	52	52	74
			Breakout	67	67	54	43	39	32	28	26	70

Data provided at standard air density of 1.2 kg/m³.

Tests and preparation of the sound data have been carried out in accordance with BS 848 Part 2:1985 at 50% peak pressure.

The Sound Power Level Spectra are in dB re-1pW.

The overall A-weighted sound pressure level is at a distance of 3m with spherical free-field propagation. It is expressed in dB re-20µPa and is presented for comparative purposes only.

Sound Data

Three Phase 380V to 480V / 50Hz or 60Hz

Product Code	Control Voltage	Speed r/min		Sound Power Level dBW @ Octave Band Hz								Total dB
				63Hz	125Hz	250Hz	500Hz	1kHz	2kHz	4kHz	8kHz	
SQUHT67/450-EC-3	10V	1810	Inlet	89	87	82	79	73	74	74	70	92
			Outlet	92	88	81	81	80	76	75	74	95
			Breakout	91	86	74	66	58	50	47	46	92
	7.5V	1290	Inlet	81	79	74	71	65	66	66	62	84
			Outlet	84	80	73	73	72	68	67	66	87
			Breakout	83	78	66	58	50	42	39	38	84
	5V	790	Inlet	70	68	63	60	54	55	55	51	73
			Outlet	73	69	62	62	61	57	56	55	75
			Breakout	71	66	54	47	38	31	27	26	72
SQUHT82/500-EC-3	10V	1500.005	Inlet	88	88	83	77	73	74	74	70	92
			Outlet	91	89	82	81	81	75	74	74	94
			Breakout	90	87	74	65	59	54	49	47	91
	7.5V	1115	Inlet	81	81	76	70	66	66	67	63	85
			Outlet	84	82	75	74	74	68	67	66	87
			Breakout	83	80	67	58	52	47	42	40	84
	5V	695	Inlet	70	69	65	59	55	55	56	52	74
			Outlet	73	71	63	63	63	57	56	55	76
			Breakout	71	68	56	47	41	36	31	28	73
SQUHT82/560-EC-3	10V	1500	Inlet	91	93	89	80	79	78	78	76	97
			Outlet	95	96	87	86	87	78	78	78	99
			Breakout	93	92	80	69	65	58	53	51	96
	7.5V	1125	Inlet	84	86	82	73	72	71	71	69	90
			Outlet	88	88	80	79	80	71	71	71	92
			Breakout	86	85	73	62	58	51	46	44	89
	5V	695	Inlet	73	75	71	62	60	59	60	57	78
			Outlet	77	77	69	68	69	60	60	59	81
			Breakout	75	74	62	51	46	40	35	33	78
SQUHT82/630-EC-3	10V	1400	Inlet	95	99	95	83	84	82	83	81	102
			Outlet	99	102	93	91	93	82	82	82	105
			Breakout	97	98	86	73	70	62	58	56	101
	7.5V	1055	Inlet	88	92	88	76	77	75	76	74	95
			Outlet	92	95	86	84	86	75	75	75	98
			Breakout	90	91	79	66	63	55	51	49	94
	5V	575	Inlet	77	81	77	65	66	64	65	63	84
			Outlet	81	84	75	73	75	64	64	64	86
			Breakout	79	80	68	55	52	44	39	38	83
SQUHT102/630B-EC-3	10V	1400	Inlet	93	102	97	78	81	78	70	76	104
			Outlet	97	105	95	86	90	78	69	77	106
			Breakout	93	97	82	64	63	51	36	41	99
	7.5V	1055	Inlet	86	95	90	71	74	71	63	69	97
			Outlet	90	98	88	79	83	71	62	70	99
			Breakout	86	90	75	57	56	44	29	34	92
	5V	575	Inlet	75	84	79	60	63	60	52	58	86
			Outlet	79	87	77	68	72	60	51	59	88
			Breakout	75	79	64	46	45	33	18	23	81

Data provided at standard air density of 1.2 kg/m³.

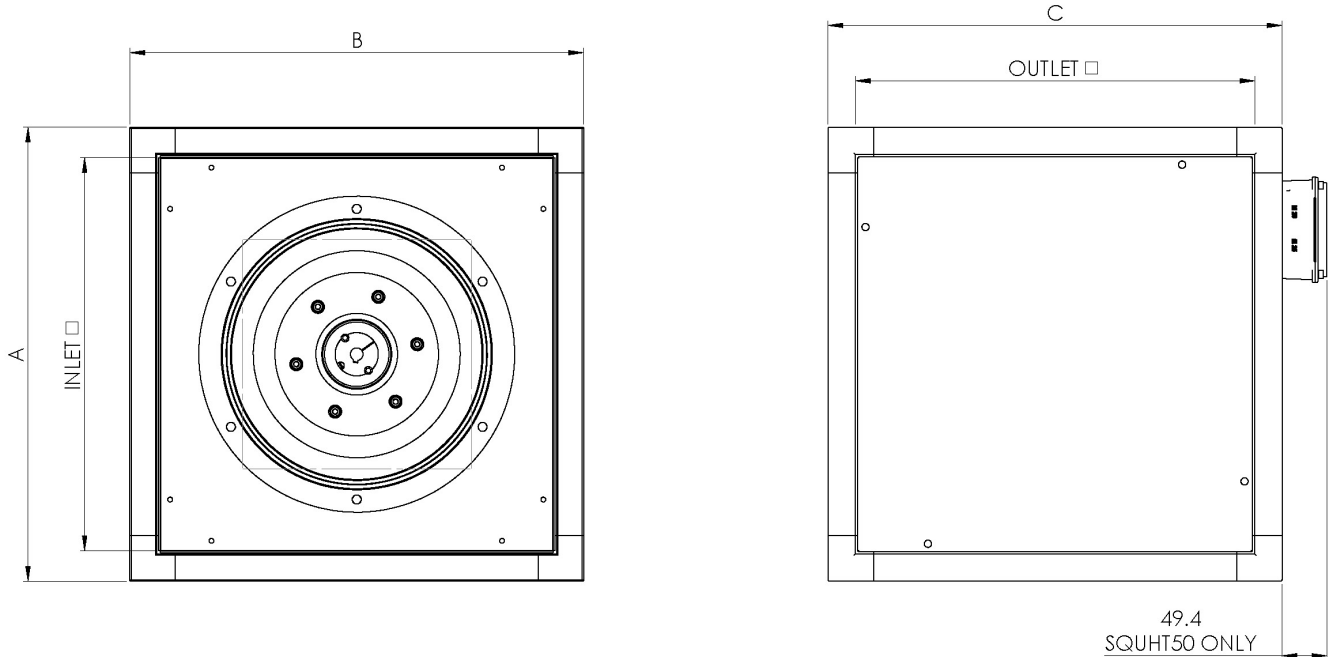
Tests and preparation of the sound data have been carried out in accordance with BS 848 Part 2:1985 at 50% peak pressure.

The Sound Power Level Spectra are in dB re-1pW.

The overall A-weighted sound pressure level is at a distance of 3m with spherical free-field propagation. It is expressed in dB re-20µPa and is presented for comparative purposes only.

Dimensional Data

Product Code*	A	B	C	INLET	Outlet	Weight kg
SQUHT50/315-EC-1	500	500	500	430	440	35
SQUHT50/355-EC-1	500	500	500	430	440	35
SQUHT67/450-EC-1	670	670	670	600	610	70
SQUHT67/450-4-3	670	670	670	600	610	73
SQUHT67/450-EC-3	670	670	670	600	610	70
SQUHT82/500-4-3	820	820	820	730	740	108
SQUHT82/500-EC-3	820	820	820	730	740	94
SQUHT82/560-EC-1	820	820	820	730	740	94
SQUHT82/560-4-3	820	820	820	730	740	120
SQUHT82/560-EC-3	820	820	820	730	740	94
SQUHT102/630B-4-3	1020	1020	1020	930	940	185
SQUHT82/630-EC-3	820	820	820	730	740	94
SQUHT102/630B-EC-3	1020	1020	1020	930	940	135



All dimensions are expressed in mm.

Three Phase

Product Code*	Inverter Controller 3PH-EPH IP55	Wiring Diagram
SQUHT67/450-4-3	149-VFD-00-00-0017	152-611
SQUHT82/500-4-3	149-VFD-00-00-0019	152-611
SQUHT82/560-4-3	149-VFD-00-00-0021	152-611
SQUHT102/630B-4-3	149-VFD-00-00-0022	152-613

*Specify Required Filter Media

**Specify Required Length 800/1200mm long. With or without Melinex Lining.

Single Phase

Product Code*	Electronic Controller	Wiring Diagram
SQUHT50/315-EC-1	149-POT-10-MI	152-733
SQUHT50/355-EC-1	149-POT-10-MI	152-733
SQUHT67/450-EC-1	149-POT-10-MI	152-733
SQUHT82/560-EC-1	149-POT-10-MI	152-733

Three Phase

Product Code*	Electronic Controller	Wiring Diagram
SQUHT67/450-EC-3	149-POT-10-MI	152-734
SQUHT82/500-EC-3	149-POT-10-MI	152-734
SQUHT82/560-EC-3	149-POT-10-MI	152-734
SQUHT82/630-EC-3	149-POT-10-MI	152-734
SQUHT102/630B-EC-3	149-POT-10-MI	152-734

* Specify Required Filter Media

** Specify with or without Melinex lining.

Representeras av:



tel: 0470 - 485 50

mail: info@flaktcomp.se

www.flaktcomp.se

Tel **+44 (0) 1384 275800**

Email info@eltauk.com

eltauk.com

SQUHT-01-2024 Issue E



BS EN ISO 9001:2015 FM 556465

