

TWINFLOW STDL

Centrifugal Box Fan

ELTA



TWINFLOW STDL

Product Overview

- 7 standard sizes from 125 mm to 500 mm
- Air volume flow rates up to 1.74 m³/s
- Static pressures up to 730 Pa
- Suitable for operating temperatures up to +60°C
- Redesigned casing to improve airflow and reduce specific fan powers
- Acoustically lined internally to reduce breakout noise levels
- Low Specific Fan Powers
- Available in **EC**



Twinflow STDL fans are suitable for external mounting. The range incorporates advanced backward curved impellers.

Easy Installation

All models are designed for direct connection to standard diameter flexible or rigid circular ducting with long spigots.

Easy Commissioning

Integrated commissioning control allows single speed selection and also limits maximum speed if used with an external potentiometer. Efficient Performance High efficiency low tonal noise backward curved centrifugal impellers are directly driven by an EC external rotor motor, provide low specific fan powers and stepless speed control without tonal noise generation.

Controllability

EC motors provide precise speed control via potentiometer, BMS or Elta's DCV control. Reduced fan speeds can provide significant cost-savings through lower energy consumption in both mechanical energy of motors and on the conditioning of replacement air.

Twin Fan Operation

Fitted with Auto Changeover Panel as standard for automatic changeover to standby fan in the event of fan fail and duty share optimising the life expectancy of the motors.

Construction

Robust 1.2mm galvanised mild steel sheet casing. The casing is specially manufactured using integral motor

mounting plates to provide additional rigidity for the casings. Each casing provides spigots to suit standard circular ducting.

Motors

EC external rotor motors fitted as standard. The IP44 motor contains sealed for life bearings. All motors are suitable for use in ambient air conditions up to +60°C.

Impellers

High efficiency low tonal noise backward curved centrifugal impellers, dynamically balanced to ISO1940-1 and directly driven by the motor to provide a smooth airflow through the unit.

Duct Connection Options

Can be supplied with rectangular outlet & inlet spigots on request.

Electrical Connection Options

Connection is direct to the fitted Auto Changeover Panel.

Warranty

Each STDL has a 12 month warranty.

Typical Applications

- Toilets
- Hotels
- Schools
- Colleges
- Libraries
- Kitchens
- Factories
- Industrial Units
- Warehousing
- Offices

Contents

Page	Information
3	Performance Range Curves
4	Performance, SFP & Electrical Data
7	Sound Data
10	Dimensional Data
11	EcoDesign 1253/2014
11	Accessories
22	Notes

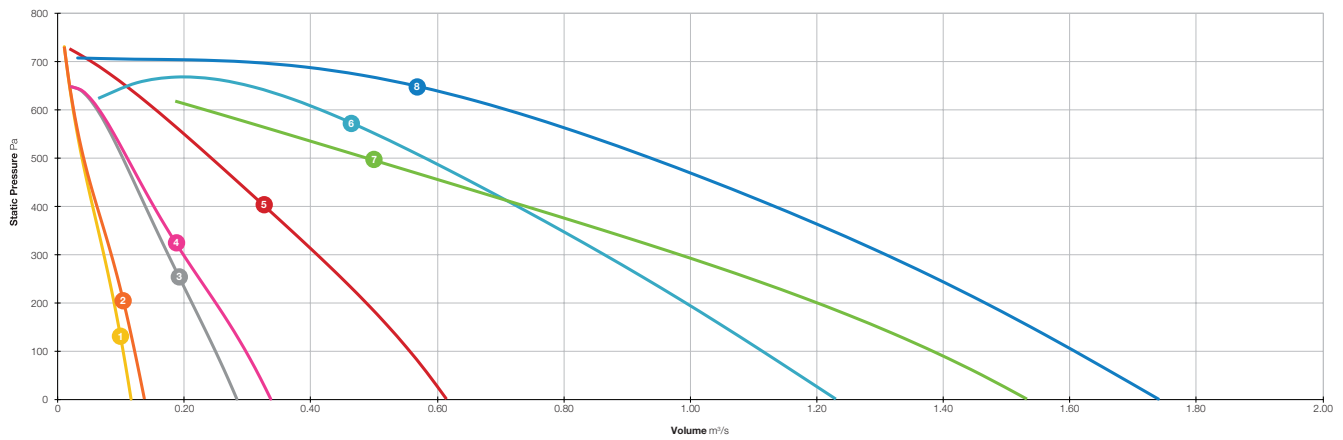
Product Coding

Code	Reference
STDL	Product Range
200	Diameter (200/250/315...)
-	
1	Voltage Supply (Single Phase / Three Phase)
EC	Motor Type (EC)
A - Z	Additional Coding (A - Z) Product Variants
e.g.	STDL200-1EC (Circular Spigot) STDL200-1EC-DCV (Circular Spigot, DCV) STDL200-1EC-R (Rectangular Spigot) STDL200-1EC-R-DCV (Rectangular Spigot, DCV)

TWINFLOW STDL



Performance Range Curves



- 1 STDL125 / 1EC
- 2 STDL150 / 1EC
- 3 STDL200 / 1EC

- 4 STDL250 / 1EC
- 5 STDL315 / 1EC
- 6 STDL400 / 1EC

- 7 STDL500 / 1EC
- 8 STDL500 / 3EC

TWINFLOW STDL



Performance, SFP & Electrical Data

Single Phase 220V to 240V / 50Hz or 60Hz

Product Code	Control Voltage V	Speed r/min	Airflow SFP	Airflow m³/s @ Static Pressure Pa											At Best Efficiency Point		Electrical Data		dBA @ 3m		
				0	25	50	75	100	150	200	250	300	350	400	500	Overall Eff %	Input kW	Peak Amps			
STD125-1EC	10	3565	m³/s	0.116	0.113	0.110	0.106	0.103	0.096	0.089	0.081	0.073	0.064	0.055	0.038	25.2	0.108	0.95	Inlet	58	
			W/(L/s)	0.93	0.96	0.99	1.02	1.05	1.12	1.21	1.33	1.48	1.69	1.96	2.82				Outlet	60	
	7.5	3123	m³/s	0.100	0.096	0.093	0.089	0.085	0.077	0.068	0.058	0.047	0.036	0.026	0.013	24.1	0.075	-	Inlet	52	
			W/(L/s)	0.74	0.77	0.80	0.83	0.87	0.96	1.09	1.28	1.58	2.07	2.83	5.88				Outlet	55	
	5	2580	m³/s	0.082	0.078	0.074	0.069	0.065	0.054	0.043	0.030	0.016	-	-	-	22.0	0.490	-	Inlet	47	
			W/(L/s)	0.59	0.62	0.65	0.70	0.75	0.89	1.13	1.63	2.93	-	-	-				Outlet	53	
	2.5	1600	m³/s	0.051	0.043	0.033	0.023	0.014	-	-	-	-	-	-	-	9.9	0.023	-	Inlet	36	
			W / (L/s)	0.45	0.53	0.68	0.97	1.65	-	-	-	-	-	-	-				Outlet	39	
				Breakout	26																
				STD150-1EC	10	3565	m³/s	0.137	0.133	0.129	0.125	0.121	0.113	0.104	0.095	0.084	0.073	0.062	0.041	28.5	0.108
	W/(L/s)	0.79	0.82				0.84	0.87	0.89	0.96	1.04	1.14	1.28	1.47	1.74	2.64	Outlet	59			
	7.5	3125	m³/s		0.119	0.114	0.109	0.105	0.100	0.090	0.079	0.067	0.053	0.039	0.027	0.013	27.4	0.075	-	Inlet	51
W/(L/s)			0.63		0.65	0.68	0.71	0.74	0.82	0.94	1.10	1.39	1.89	2.69	5.80	Outlet				54	
5	2580	m³/s	0.098		0.092	0.086	0.081	0.075	0.062	0.048	0.033	0.017	-	-	-	24.7	0.049	-	Inlet	46	
		W/(L/s)	0.50		0.52	0.56	0.60	0.64	0.77	0.99	1.48	2.83	-	-	-				Outlet	52	
2.5	1600	m³/s	0.060		0.051	0.039	0.026	0.014	-	-	-	-	-	-	-	11.2	0.023	-	Inlet	35	
		W/(L/s)	0.38		0.45	0.58	0.87	1.55	-	-	-	-	-	-	-				Outlet	37	
			Breakout		25																
			STD1200-1EC		10	2510	m³/s	0.283	0.275	0.267	0.258	0.249	0.230	0.212	0.193	0.174	0.156	0.138	0.102	39.6	0.165
W/(L/s)	0.58	0.60					0.62	0.64	0.66	0.71	0.77	0.84	0.94	1.05	1.19	1.61	Outlet	60			
7.5	2285	m³/s			0.257	0.249	0.241	0.233	0.224	0.205	0.186	0.166	0.145	0.120	0.087	-	39.5	0.132	-	Inlet	52
		W/(L/s)		0.48	0.50	0.53	0.55	0.58	0.64	0.71	0.80	0.91	1.07	1.37	-	Outlet				55	
5	1490	m³/s		0.168	0.157	0.145	0.131	0.116	0.078	-	-	-	-	-	-	38.9	0.039	-	Inlet	43	
		W/(L/s)		0.21	0.24	0.27	0.31	0.35	0.48	-	-	-	-	-	-				Outlet	48	
2.5	690	m³/s		0.067	0.043	-	-	-	-	-	-	-	-	-	-	16.8	0.008	-	Inlet	23	
		W/(L/s)		0.13	0.20	-	-	-	-	-	-	-	-	-	-				Outlet	24	
				Breakout	15																
				STD1250-1EC	10	2490	m³/s	0.336	0.327	0.317	0.307	0.296	0.273	0.249	0.223	0.197	0.173	0.151	0.109	43.4	0.165
W/(L/s)	0.50	0.51					0.53	0.54	0.56	0.60	0.66	0.73	0.82	0.94	1.09	1.51	Outlet	58			
7.5	2285	m³/s			0.289	0.283	0.276	0.268	0.259	0.238	0.214	0.189	0.163	0.135	0.100	-	43.4	0.132	-	Inlet	51
		W/(L/s)	0.36		0.38	0.41	0.44	0.47	0.54	0.61	0.70	0.81	0.97	1.24	-	Outlet				54	
5	1490	m³/s	0.187		0.177	0.165	0.151	0.133	0.089	-	-	-	-	-	-	42.4	0.040	-	Inlet	41	
		W/(L/s)	0.16		0.19	0.22	0.26	0.31	0.43	-	-	-	-	-	-				Outlet	46	
2.5	690	m³/s	0.078		0.046	-	-	-	-	-	-	-	-	-	-	17.7	0.009	-	Inlet	21	
		W / (L/s)	0.10		0.19	-	-	-	-	-	-	-	-	-	-				Outlet	22	
			Breakout		13																

Data provided is at standard air density of 1.2 kg/m³.

ERP data in accordance with Regulation (EU) 1253/2014. Product category is NRVU. Measurement category used to determine energy efficiency: D.

A variable speed drive is integrated within the fan.

Peak Amps @ 230V / 1PH / 50Hz.

The overall A-weighted sound pressure level is at a distance of 3m with spherical free-field propagation. It is expressed in dB re-20µPa and is presented for comparative purposes only.

TWINFLOW STDL



Performance, SFP & Electrical Data

Single Phase 220V to 240V / 50Hz or 60Hz

Product Code	Control Voltage V	Speed r/min	Airflow SFP	Airflow m³/s @ Static Pressure Pa											At Best Efficiency Point		Electrical Data	dBA @ 3m		
				0	25	50	75	100	150	200	250	300	350	400	500	Overall Eff %				Input kW
STDL315-1EC	10	2075	m³/s	0.613	0.600	0.585	0.570	0.555	0.522	0.486	0.449	0.409	0.368	0.327	0.242	37.4	0.402	1.74	Inlet	64
			W/(L/s)	0.65	0.66	0.68	0.70	0.72	0.77	0.83	0.90	0.99	1.09	1.23	1.65				Outlet	59
			Breakout	43																
	7.5	1910	m³/s	0.570	0.551	0.534	0.519	0.504	0.474	0.443	0.408	0.367	0.312	0.238	0.065	38.0	0.325	-	Inlet	60
			W/(L/s)	0.55	0.57	0.59	0.62	0.64	0.70	0.76	0.84	0.93	1.07	1.31	3.53				Outlet	58
			Breakout	41																
	5	1340	m³/s	0.407	0.383	0.361	0.340	0.317	0.262	0.182	0.072	-	-	-	-	35.6	0.133	-	Inlet	52
			W/(L/s)	0.31	0.33	0.36	0.39	0.42	0.51	0.70	1.47	-	-	-	-				Outlet	50
			Breakout	40																
	2.5	925	m³/s	0.265	0.232	0.190	0.138	0.071	-	-	-	-	-	-	-	19.5	0.065	-	Inlet	39
			W/(L/s)	0.24	0.28	0.34	0.47	0.83	-	-	-	-	-	-	-				Outlet	39
			Breakout	24																
STDL400-1EC	10	1575	m³/s	1.220	1.200	1.170	1.140	1.110	1.050	0.991	0.927	0.862	0.794	0.725	0.579	46.2	0.742	4.20	Inlet	60
			W/(L/s)	0.59	0.61	0.62	0.64	0.65	0.69	0.74	0.79	0.84	0.91	1.00	1.26				Outlet	60
			Breakout	48																
	7.5	1440	m³/s	1.090	1.070	1.040	1.020	0.994	0.936	0.872	0.805	0.732	0.652	0.556	-	46.7	0.582	-	Inlet	57
			W/(L/s)	0.46	0.48	0.50	0.52	0.55	0.60	0.65	0.71	0.78	0.87	0.99	-				Outlet	58
			Breakout	46																
	5	1030	m³/s	0.724	0.683	0.639	0.593	0.543	0.427	0.233	-	-	-	-	-	42.7	0.221	-	Inlet	49
			W/(L/s)	0.23	0.25	0.27	0.30	0.33	0.42	0.69	-	-	-	-	-				Outlet	50
			Breakout	38																
	2.5	690	m³/s	0.542	0.492	0.437	0.367	0.262	-	-	-	-	-	-	-	24.4	0.084	-	Inlet	38
			W/(L/s)	0.18	0.23	0.30	0.38	0.50	-	-	-	-	-	-	-				Outlet	40
			Breakout	31																
STDL500-1EC	10	1305	m³/s	1.530	1.490	1.460	1.420	1.380	1.290	1.190	1.090	0.981	0.862	0.738	0.487	47.0	0.715	3.70	Inlet	54
			W/(L/s)	0.48	0.49	0.50	0.52	0.53	0.57	0.61	0.67	0.74	0.85	0.99	1.52				Outlet	55
			Breakout	38																
	7.5	1205	m³/s	1.410	1.380	1.340	1.300	1.260	1.170	1.070	0.959	0.828	0.684	0.518	-	47.5	0.594	-	Inlet	54
			W/(L/s)	0.41	0.42	0.44	0.45	0.47	0.51	0.56	0.63	0.72	0.86	1.10	-				Outlet	55
			Breakout	38																
	5	870	m³/s	1.010	0.969	0.928	0.885	0.837	0.685	0.413	-	-	-	-	-	47.0	0.238	-	Inlet	45
			W/(L/s)	0.23	0.24	0.25	0.28	0.30	0.38	0.55	-	-	-	-	-				Outlet	47
			Breakout	30																
	2.5	550	m³/s	0.685	0.639	0.564	0.404	-	-	-	-	-	-	-	-	35.9	0.099	-	Inlet	34
			W/(L/s)	0.14	0.17	0.19	0.26	-	-	-	-	-	-	-	-				Outlet	36
			Breakout	24																

Data provided is at standard air density of 1.2 kg/m³.

ErP data in accordance with Regulation (EU) 1253/2014. Product category is NRVU. Measurement category used to determine energy efficiency: D.

A variable speed drive is integrated within the fan.

Peak Amps @ 230V / 1PH / 50Hz.

The overall A-weighted sound pressure level is at a distance of 3m with spherical free-field propagation. It is expressed in dB re-20µPa and is presented for comparative purposes only.

TWINFLOW STDL



Performance, SFP & Electrical Data

Three Phase 380V to 480V / 50Hz or 60Hz

Product Code	Control Voltage V	Speed r/min	Airflow SFP	Airflow m³/s @ Static Pressure Pa												At Best Efficiency Point		Electrical Data	dBA @ 3m	
				0	25	50	75	100	150	200	250	300	350	400	500	Overall Eff %	Input kW			
STD500-3EC	10	1505	m³/s	1.740	1.700	1.670	1.640	1.600	1.530	1.460	1.380	1.300	1.220	1.130	0.937	50.0	1.053	1.40	Inlet	58
			W/(L/s)	0.60	0.62	0.63	0.64	0.65	0.68	0.72	0.75	0.80	0.86	0.93	1.13				Outlet	58
			Breakout	42																
	7.5	1282	m³/s	1.490	1.470	1.440	1.420	1.390	1.340	1.280	1.210	1.130	1.030	0.881	-	50.1	0.817	-	Inlet	57
			W/(L/s)	0.47	0.49	0.50	0.52	0.54	0.58	0.62	0.67	0.73	0.80	0.91	-				Outlet	58
			Breakout	41																
	5	934	m³/s	1.080	1.050	1.010	0.974	0.923	0.804	0.659	0.368	-	-	-	-	48.8	0.312	-	Inlet	51
			W/(L/s)	0.26	0.27	0.29	0.31	0.33	0.40	0.48	0.72	-	-	-	-				Outlet	52
			Breakout	36																
	2.5	646	m³/s	0.723	0.660	0.581	0.000	0.372	-	-	-	-	-	-	-	37.0	0.123	-	Inlet	37
			W / (L/s)	0.16	0.18	0.21	0.25	0.33	-	-	-	-	-	-	-				Outlet	37
			Breakout	32																

Data provided is at standard air density of 1.2 kg/m³.

ErP data in accordance with Regulation (EU) 1253/2014. Product category is NRVU. Measurement category used to determine energy efficiency: D.

A variable speed drive is integrated within the fan.

Peak Amps @ 400V / 3PH / 50Hz.

The overall A-weighted sound pressure level is at a distance of 3m with spherical free-field propagation. It is expressed in dB re-20µPa and is presented for comparative purposes only.

TWINFLOW STDL



Sound Data

Single Phase 220V to 240V / 50Hz or 60Hz

Product Code	Control Voltage V	Speed r/min		Sound Power Level dBW @ Octave Band Hz								Total dB
				63Hz	125Hz	250Hz	500Hz	1kHz	2kHz	4kHz	8kHz	
STDL125-1EC	10	3565	Inlet	84	83	76	81	66	60	57	55	88
			Outlet	90	84	79	83	65	60	54	50	92
			Breakout	66	72	64	64	51	46	40	34	74
	7.5	3123	Inlet	77	79	76	73	62	57	54	51	83
			Outlet	79	80	81	75	61	57	51	46	85
			Breakout	61	62	64	60	48	43	36	30	68
	5	2580	Inlet	70	75	74	62	58	53	50	46	78
			Outlet	74	76	82	62	57	53	47	41	84
			Breakout	55	55	63	51	43	38	32	25	64
	2.5	1600	Inlet	59	67	62	52	47	41	36	30	69
			Outlet	62	72	64	51	44	41	31	26	73
			Breakout	41	50	54	42	32	26	21	18	56
STDL150-1EC	10	3565	Inlet	84	81	75	80	66	60	57	55	87
			Outlet	90	82	78	82	65	60	54	50	91
			Breakout	66	70	63	63	51	46	40	34	73
	7.5	3125	Inlet	77	77	75	72	62	57	54	51	82
			Outlet	79	78	80	74	61	57	51	46	84
			Breakout	61	60	63	59	48	43	36	30	67
	5	2580	Inlet	70	73	73	61	58	53	50	46	77
			Outlet	74	74	81	61	57	53	47	41	83
			Breakout	55	53	62	50	43	38	32	25	63
	2.5	1600	Inlet	59	65	61	51	47	41	36	30	67
			Outlet	62	70	63	50	44	41	31	26	71
			Breakout	41	48	53	41	32	26	21	18	55
STDL200-1EC	10	2510	Inlet	82	76	82	69	67	60	59	57	86
			Outlet	82	79	89	70	67	62	57	54	90
			Breakout	55	61	62	55	49	41	34	31	66
	7.5	2285	Inlet	77	75	80	66	64	56	56	53	83
			Outlet	78	79	84	67	63	59	54	49	86
			Breakout	51	60	59	52	46	38	31	27	63
	5	1490	Inlet	69	73	69	57	53	46	48	37	76
			Outlet	70	83	72	56	53	49	46	34	84
			Breakout	47	60	53	43	34	27	23	18	61
	2.5	690	Inlet	60	52	49	36	33	25	23	21	61
			Outlet	58	57	49	36	32	26	20	18	61
			Breakout	34	38	43	28	19	18	15	15	45
STDL250-1EC	10	2490	Inlet	80	74	80	67	66	60	59	57	84
			Outlet	80	77	87	68	66	62	57	54	88
			Breakout	53	59	60	53	48	41	34	31	64
	7.5	2285	Inlet	75	73	78	64	63	56	56	53	81
			Outlet	76	77	82	65	62	59	54	49	84
			Breakout	49	58	57	50	45	38	31	27	61
	5	1490	Inlet	67	71	67	55	52	46	48	37	74
			Outlet	68	81	70	54	52	49	46	34	82
			Breakout	45	58	51	41	33	27	23	18	59
	2.5	690	Inlet	58	50	47	34	32	25	23	21	59
			Outlet	56	55	47	34	31	26	20	18	59
			Breakout	32	36	41	26	18	18	15	15	43
STDL315-1EC	10	2075	Inlet	85	84	93	72	71	66	63	57	94
			Outlet	85	86	85	76	73	67	63	55	90
			Breakout	66	71	69	59	53	47	42	37	74
	7.5	1910	Inlet	84	85	89	70	69	64	61	55	91
			Outlet	84	85	83	74	71	65	61	53	89
			Breakout	65	72	67	58	52	45	41	36	74
	5	1340	Inlet	77	87	73	63	62	56	53	46	88
			Outlet	77	83	71	66	63	57	52	44	84
			Breakout	58	76	56	51	44	37	32	27	76
	2.5	925	Inlet	77	70	64	53	51	45	40	31	78
			Outlet	74	69	61	56	52	45	39	29	75
			Breakout	55	58	46	41	34	25	22	19	60

Data provided at standard air density of 1.2 Kg/m³.
 Tests and preparation of the sound data have been carried out in accordance with BS 848 Part 2:1985 at 50% peak pressure.
 The Sound Power Level Spectra are in dB re-1pW.

TWINFLOW STDL



Sound Data

Single Phase 220V to 240V / 50Hz or 60Hz

Product Code	Control Voltage V	Speed r/min		Sound Power Level dBW @ Octave Band Hz								Total dB
				63Hz	125Hz	250Hz	500Hz	1kHz	2kHz	4kHz	8kHz	
STDL400-1EC	10	1575	Inlet	85	83	88	74	67	67	66	62	91
			Outlet	88	84	84	79	74	70	67	65	91
			Breakout	64	69	74	68	54	49	46	42	76
	7.5	1440	Inlet	83	83	84	72	65	65	64	59	88
			Outlet	85	83	82	76	71	68	65	61	89
			Breakout	61	68	71	67	52	47	44	39	74
	5	1030	Inlet	77	83	71	63	58	58	56	46	84
			Outlet	79	81	69	67	63	61	56	44	83
			Breakout	55	66	59	59	44	39	36	27	68
	2.5	690	Inlet	73	69	60	54	50	50	40	31	75
			Outlet	73	69	58	58	54	50	40	28	75
			Breakout	49	57	51	53	39	30	22	19	60
STDL500-1EC	10	1305	Inlet	80	87	76	69	64	65	60	53	88
			Outlet	81	83	73	71	69	67	65	63	86
			Breakout	69	69	62	55	49	45	39	33	73
	7.5	1205	Inlet	80	86	76	69	64	65	60	53	87
			Outlet	81	83	73	71	69	67	65	63	86
			Breakout	69	69	62	55	49	45	39	33	73
	5	870	Inlet	74	78	66	61	57	56	50	39	80
			Outlet	74	78	64	63	61	60	54	42	80
			Breakout	62	62	53	47	42	36	29	22	65
	2.5	550	Inlet	67	65	56	52	47	43	34	27	69
			Outlet	67	65	54	53	51	46	36	27	69
			Breakout	54	52	44	45	35	24	19	17	57

Data provided at standard air density of 1.2 Kg/m³.
 Tests and preparation of the sound data have been carried out in accordance with BS 848 Part 2:1985 at 50% peak pressure.
 The Sound Power Level Spectra are in dB re-1pW.

TWINFLOW STDL



Sound Data

Three Phase 380V to 480V / 50Hz or 60Hz

Product Code	Control Voltage V	Speed r/min		Sound Power Level dBW @ Octave Band Hz								Total dB
				63Hz	125Hz	250Hz	500Hz	1kHz	2kHz	4kHz	8kHz	
STDL500-3EC	10	1505	Inlet	82	82	84	73	67	69	64	58	88
			Outlet	82	82	77	75	72	71	69	64	86
			Breakout	71	67	69	59	51	48	43	34	74
	7.5	1282	Inlet	82	82	83	73	67	68	64	58	87
			Outlet	82	82	77	75	72	71	68	64	86
			Breakout	71	67	68	59	51	47	42	34	74
	5	934	Inlet	78	82	74	67	62	62	57	49	84
			Outlet	78	81	71	69	66	65	62	53	83
			Breakout	67	67	60	53	45	41	35	24	71
	2.5	646	Inlet	71	69	58	50	50	50	40	38	73
			Outlet	71	68	58	54	51	48	41	32	73
			Breakout	65	63	52	49	45	41	31	20	67

Data provided at standard air density of 1.2 Kg/m³.
 Tests and preparation of the sound data have been carried out in accordance with BS 848 Part 2:1985 at 50% peak pressure.
 The Sound Power Level Spectra are in dB re-1pW.

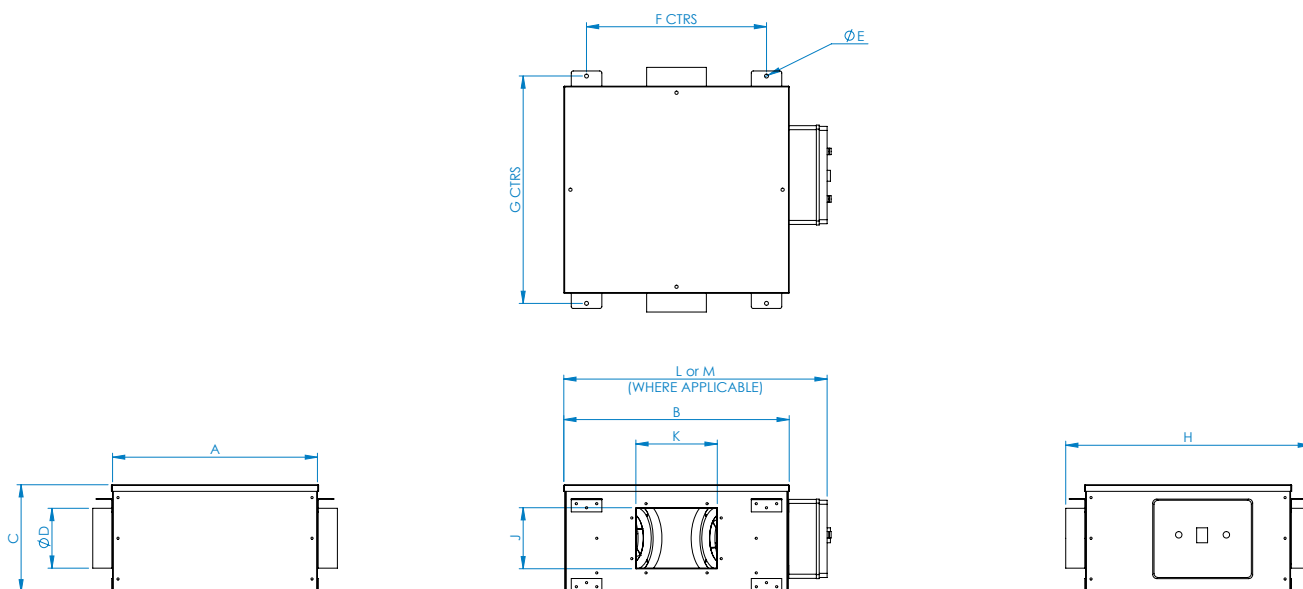
TWINFLOW STDL



Dimensional Data

Single & Three Phase

Product Code	A	B	C	D	E	F	G	H	J*	K*	L (W/STANDARD BOX)	M (W/ DCV)	Weight kg
STDL125	504	554	263	122	10	442	559	601	148	198	B + 96	B + 88	29
STDL150	504	554	263	147	10	442	559	601	148	198	B + 96	B + 88	29
STDL200	574	698	334	197	10	587	629	669	204	204	B + 96	B + 88	40
STDL250	574	698	334	247	10	587	629	669	254	254	B + 96	B + 88	40
STDL315	759	866	411	312	10	730	815	855	348	378	B + 96	B + 88	61
STDL400	917	1064	551	397	10	928	973	1012	448	598	B + 96	B + 88	112
STDL500	1060	1212	602	497	10	1077	1116	1156	498	598	B + 96	B + 88	132



* Rectangular Spigot Version
All dimensions are expressed in mm.

Accessories

Single Phase

Product Code	EC Electronic Controller	Fast Clamps (each)	AV Mounts (set of 4)*	Panel Filter	Electric Heater Battery
STDL125-1EC	149-POT-10-MI	018-125-CLAMP	062-SEL03	018-0125-FILT-P	018-CV12-12-1M
STDL150-1EC	149-POT-10-MI	018-150-CLAMP	062-SEL03	018-0150-FILT-P	018-CV15-27-1M
STDL200-1EC	149-POT-10-MI	018-200-CLAMP	062-SEL03	018-0200-FILT-P	018-CV20-30-1M
STDL250-1EC	149-POT-10-MI	018-250-CLAMP	062-SEL03	018-0250-FILT-P	018-CV25-30-1M
STDL315-1EC	149-POT-10-MI	018-315-CLAMP	062-SEL03	018-0315-FILT-P	018-CV31-30-1M
					018-CV31-45-1M
					018-CV31-90-3M
STDL400-1EC	149-POT-10-MI	018-400-CLAMP	062-SEL04	018-0400-FILT-P	018-CV40-90-3M
					018-CV40-120-3M
STDL500-1EC	149-POT-10-MI	018-500-CLAMP	062-SEL05	018-0500-FILT-P	-

Product Code	Spigot Silencer 300mm Long	Spigot Silencer 600mm Long	Spigot Silencer 900mm Long	Spigot Silencer 1200mm Long	Wiring Diagram
STDL125-1EC	068-0125-JF1	068-0125-JF2	068-0125-JF3	068-0125-JF4	152-717
STDL150-1EC	068-0150-JF1	068-0150-JF2	068-0150-JF3	068-0150-JF4	152-717
STDL200-1EC	068-0200-JF1	068-0200-JF2	068-0200-JF3	068-0200-JF4	152-717
STDL250-1EC	068-0250-JF1	068-0250-JF2	068-0250-JF3	068-0250-JF4	152-717
STDL315-1EC	068-0315-JF1	068-0315-JF2	068-0315-JF3	068-0315-JF4	152-717
STDL400-1EC	068-0400-JF1	068-0400-JF2	068-0400-JF3	068-0400-JF4	152-717
STDL500-1EC	068-0500-JF1	068-0500-JF2	068-0500-JF3	068-0500-JF4	152-717

Three Phase

Product Code	EC Electronic Controller	Fast Clamps (each)	AV Mounts (set of 4)*	Panel Filter
STDL500-3EC	149-POT-10-MI	018-500-CLAMP	062-SEL05	018-0500-FILT-P

Product Code	Spigot Silencer 300mm Long	Spigot Silencer 600mm Long	Spigot Silencer 900mm Long	Spigot Silencer 1200mm Long	Wiring Diagram
STDL500-3EC	068-0500-JF1	068-0500-JF2	068-0500-JF3	068-0500-JF4	152-720

*Supplied as a single mount.

TWINFLOW STDL

Notes

Ruled lines for notes.

Representeras av:



tel: 0470 - 485 50

mail: info@flaktcomp.se

www.flaktcomp.se

Tel **+44 (0) 1384 275800**

Email info@eltauk.com

eltauk.com

STDL-08-2022 Issue D



BS EN ISO 9001:2015 FM 556465

